

# Standardprogram i almindelige gasfjedre

## Standard program in ordinary gas springs

Varenr. Art. No.	Stempel- vandring Stroke	Stempel- diameter Piston diameter	Cylinder- diameter Cylinder diameter	Dæmpning/ stempel- cylinder Damping/ piston- cylinder	Længde ekskl. gevind Length excl. thread	Længde inkl. 2 øjer Length incl. 2 hinges	Længde inkl. 2 kugleled Length incl. 2 ball sockets	Længde inkl. 2 gaf- felstykker Length incl. 2 clevises	Styrke Nm Force Nm
19.05010	50	8	19	4/0	B0L0/215	A1A1/255	A3A3/275	A5A5/280	100
19.08015	80	8	19	4/0	B0L0/215	A1A1/255	A3A3/275	A5A5/280	150
19.08030	80	8	19	5/0	B0N0/215	A1A1/255	A3A3/275	A5A5/280	300
19.08040	80	8	19	5/0	B0N0/215	A1A1/255	A3A3/275	A5A5/280	400
19.08550	85	8	19	5/0	B0N0/220	A1A1/260	A3A3/280	A5A5/285	500
19.08570	85	8	19	5/0	B0N0/220	A1A1/260	A3A3/280	A5A5/285	700
19.09515	95	8	19	5/0	B0N0/240	A1A1/280	A3A3/300	A5A5/305	150
19.10015	100	8	19	5/0	B0N0/260	A1A1/300	A3A3/320	A5A5/325	150
19.10020	100	8	19	5/0	B0N0/260	A1A1/300	A3A3/320	A5A5/325	200
19.10025	100	8	19	5/0	B0N0/260	A1A1/300	A3A3/320	A5A5/325	250
19.10035	100	8	19	5/0	B0N0/260	A1A1/300	A3A3/320	A5A5/325	350
19.10050	100	8	19	5/0	B0N0/260	A1A1/300	A3A3/320	A5A5/325	500
19.10075	100	8	19	5/0	B0N0/260	A1A1/300	A3A3/320	A5A5/325	750
19.11015	110	8	19	5/0	B0N0/280	A1A1/320	A3A3/340	A5A5/345	150
19.150050	150	8	19	5/0	B0N0/360	A1A1/400	A3A3/420	A5A5/425	50
19.150075	150	8	19	5/0	B0N0/360	A1A1/400	A3A3/420	A5A5/425	75
19.15015	150	8	19	5/0	B0N0/360	A1A1/400	A3A3/420	A5A5/425	150
19.15016	150	8	19	5/0	B0N0/360	A1A1/400	A3A3/420	A5A5/425	160
19.15025	150	8	19	5/0	B0N0/360	A1A1/400	A3A3/420	A5A5/425	250
19.15035	150	8	19	5/0	B0N0/360	A1A1/400	A3A3/420	A5A5/425	350
19.15050	150	8	19	5/0	B0N0/360	A1A1/400	A3A3/420	A5A5/425	500
19.15075	150	8	19	5/0	B0N0/360	A1A1/400	A3A3/420	A5A5/425	750
19.150100	150	10	22	5/2	H0H0/360	A1A1/400	A3A3/420	A5A5/425	1.000
19.150120	150	10	22	5/2	H0H0/360	A1A1/400	A3A3/420	A5A5/425	1.200
19.20010	200	8	19	5/0	B0N0/460	A1A1/500	A3A3/520	A5A5/525	100
19.20015	200	8	19	5/0	B0N0/460	A1A1/500	A3A3/520	A5A5/525	150
19.20020	200	8	19	5/0	B0N0/460	A1A1/500	A3A3/520	A5A5/525	200
19.20025	200	8	19	5/0	B0N0/460	A1A1/500	A3A3/520	A5A5/525	250
19.20040	200	8	19	5/0	B0N0/460	A1A1/500	A3A3/520	A5A5/525	400
19.20050	200	8	19	5/0	B0N0/460	A1A1/500	A3A3/520	A5A5/525	500
19.20075	200	10	22	5/2	H0N0/460	A1A1/500	A3A3/520	A5A5/525	750
19.20090	200	10	22	5/2	H0N0/460	A1A1/500	A3A3/520	A5A5/525	900
19.200100	200	10	22	5/2	H0N0/460	A1A1/500	A3A3/520	A5A5/525	1.000
19.200100X	200	12	28	5/4	H0L0/460	A1A1/500	A3A3/520	A5A5/525	1.000
19.200125	200	10	22	5/2	H0N0/460	A1A1/500	A3A3/520	A5A5/525	1.250
19.200150	200	12	28	5/4	H0L0/460	A1A1/510	A3A3/530	A5A5/540	1.500
19.200200	200	14	28	5/5	D0M0/470	B1B1/520	A4A4/540	B9B9/550	2.000
19.200250	200	14	28	5/5	D0M0/470	B1B1/520	A4A4/540	B9B9/550	2.500
19.22520	225	10	22	5/2	H0N0/510	A1A1/550	A3A3/570	A5A5/575	200
19.23520	235	10	22	5/2	H0N0/550	A1A1/590	A3A3/610	A5A5/615	200
19.23575	235	10	22	5/2	H0N0/550	A1A1/590	A3A3/610	A5A5/615	750
19.23590	235	10	22	5/2	H0N0/550	A1A1/590	A3A3/610	A5A5/615	900

nr. 00301-6-p201801

# Standardprogram i almindelige gasfjedre

## Standard program in ordinary gas springs

Varenr. Art. No.	Stempel- vandring Stroke	Stempel- diameter Piston diameter	Cylinder- diameter Cylinder diameter	Dæmpning/ stempel- cylinder Damping/ piston- cylinder	Længde ekskl. gevind Length excl. thread	Længde inkl. 2 øjer Length incl. 2 hinges	Længde inkl. 2 kugleled Length incl. 2 ball sockets	Længde inkl. 2 gaf- felstykker Length incl. 2 clevises	Styrke Nm Force Nm
19.25008	250	10	22	5/2	H0N0/610	A1A1/650	A3A3/670	A5A5/675	80
19.25015	250	10	22	5/2	H0N0/610	A1A1/650	A3A3/670	A5A5/675	150
19.25025	250	10	22	5/2	H0N0/610	A1A1/650	A3A3/670	A5A5/675	250
19.25040	250	10	22	5/2	H0N0/610	A1A1/650	A3A3/670	A5A5/675	400
19.25050	250	10	22	5/2	H0N0/610	A1A1/650	A3A3/670	A5A5/675	500
19.25060	250	10	22	5/2	H0N0/610	A1A1/650	A3A3/670	A5A5/675	600
19.25075	250	10	22	5/2	H0N0/610	A1A1/650	A3A3/670	A5A5/675	750
19.250100	250	10	22	5/2	H0N0/610	A1A1/650	A3A3/670	A5A5/675	1.000
19.250150	250	14	28	5/5	D0M0/610	B1B1/650	A3A3/670	A5A5/675	1.500
19.30025	300	10	22	5/2	H0N0/710	A1A1/750	A3A3/770	A5A5/775	250
19.30040	300	10	22	5/2	H0N0/710	A1A1/750	A3A3/770	A5A5/775	400
19.30050	300	10	22	5/2	H0N0/710	A1A1/750	A3A3/770	A5A5/775	500
19.30075	300	10	22	5/2	H0N0/710	A1A1/750	A3A3/770	A5A5/775	750
19.300100	300	10	22	5/2	H0N0/710	A1A1/750	A3A3/770	A5A5/775	1.000
19.300125	300	14	28	5/5	D0M0/710	B1B1/750	A4A4/770	B9B9/780	1.250
19.300150	300	14	28	5/5	D0M0/700	B1B1/750	A4A4/770	B9B9/780	1.500
19.300200	300	14	28	5/5	D0M0/700	B1B1/750	A4A4/770	B9B9/780	2.000
19.300250	300	14	28	5/5	D0M0/710	B1B1/760	A4A4/780	B9B9/790	2.500
19.35025	350	10	22	5/2	H0N0/760	A1A1/800	A3A3/820	A5A5/825	250
19.35050	350	10	22	5/2	H0N0/760	A1A1/800	A3A3/820	A5A5/825	500
19.35075	350	10	22	5/2	H0N0/760	A1A1/800	A3A3/820	A5A5/825	750
19.40000	400	10	22	5/2	H0N0/840	A1A1/880	A3A3/900	A5A5/925	Variabel
19.50000	500	14	28	5/4	D0M0/1060	B1B1/1100	A4A4/1130	B9B9/1140	Variabel

Ud over standardprogrammet kan vi tilbyde at fylde og efterfylde gasfjedre, da vi har eget fyldeanlæg.

Dette kræver blot, at gasfjedrene er leveret med en indbygget ventil. Kontakt os for nærmere oplysning vedrørende dette.

In addition to standard sizes we offer to fill and refill the gas springs, as we have our own filling plant.

This simply requires that gas springs are supplied with a built-in valve. Contact us for more information regarding this.

## Rustfri gasfjedre

### Stainless gas springs

Varenr. Art. No.	Stempel- vandring Stroke	Stempel- diameter Piston diameter	Cylinder- diameter Cylinder diameter	Dæmpning/ stempel- cylinder Damping/ piston- cylinder	Længde ekskl. gevind Length excl. thread	Længde inkl. 2 øjer Length incl. 2 hinges	Længde inkl. 2 kugleled Length incl. 2 ball sockets	Længde inkl. 2 gaffelstykk- ker Length incl. 2 clevises	Styrke Nm Force Nm
19.10000-304	100	10	22	5/2	H0N0/260	A1NA1N/300	A3NA3N/320	A5NA5N/324	Variabel
19.20000-304	200	10	22	5/2	H0N0/460	A1NA1N/500	A3NA3N/520	A5NA5N/524	Variabel
19.30000-304	300	10	22	5/2	H0N0/710	A1NA1N/750	A3NA3N/770	A5NA5N/774	Variabel

Kvalitet: V2A, AISI 304

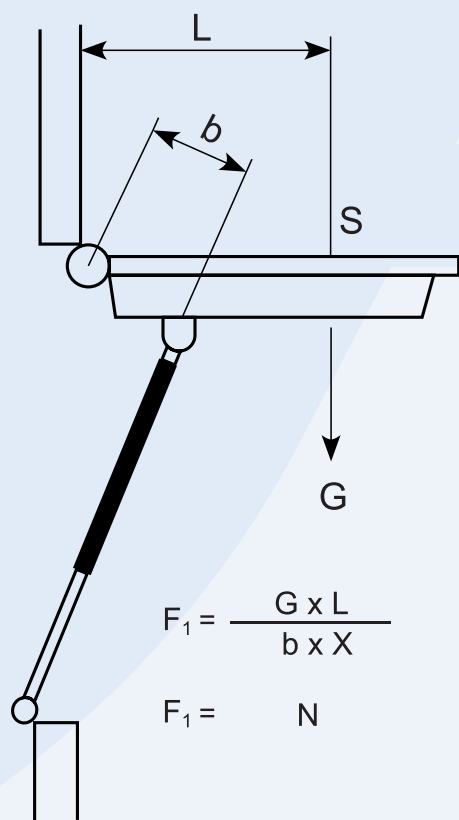
Quality: V2A, AISI 304

nr. 00301-6-p201801

# Standardprogram til transportbranchen

## Standard program for the transportation industry

Varenr. Art. No.	A Total- længde Total length	C Slag- længde Stroke	D2 Stempel stang Piston rod	D1 Cylinder Cylinder	Styrke Force
	mm	mm	mm	mm	Nm
19.2802	354	140	10	22	520
19.2806	616	271	8	19	290
19.2810	445	150	10	22	250
19.2820	503	200	10	22	250
19.28205	503	200	10	22	350
19.2821	503	200	10	22	400
19.2822	503	200	10	22	500
19.2824	503	200	10	22	650
19.2826	503	200	10	22	750
19.2828	503	200	10	22	1.000
19.2832	650	250	10	22	500
19.2834	650	250	10	22	750



### \* Gasfjeder monteret med kugleled A3 \* Gas spring mounted with ball socket A3

S = klappens tyngdepunkt flap center of gravity

G = klappens vægt i Nm (kg x 10) flap weight in Nm (kg x 10)

B = afstand fra gasfjeder til omdr.punkt distance from the gas spring to pivot point

X = antal fjedre (normalt 2 pr. klap) number of springs (usually 2 per. flap)

F1 = gasfjederens tryk i Nm gas spring pressure in Nm

nr. 00301-6-p201801

# Små gasfjedre

## Small gas springs

### Type

<b>D1</b> Tilslutning til stem- plestang Connecting to piston rod	<b>D1 -</b> Cylindertilslutning Cylinder con- nection	<b>4</b> Dæmpningsmetode Damping method	<b>6 -</b> Ø stempelstang/ Ø cylinder Ø piston rod / Ø cylinder 6 - 15	<b>050</b> Slaglængde Stroke 20 - 150 mm	<b>150 /</b> Indbygningslængde (C) Min. 2 x slaglængde (A) Extended length (C) Min. 2 x stroke (A) + 50 mm	<b>020 N</b> Udvidelsesstyrke (N) Extension strength (N) 10N - 400N
---	--	---	---	---	---	---

Varenr. Art. No.	Stempel- vandring Stroke	Stempel- diameter Piston diameter	Cylinder- diameter Cylinder diameter	Dæmpning/ stempel- cylinder Damping/ piston- cylinder	Længde ekskl. gevind Length excl. thread	Længde inkl. 2 øjer Length incl. 2 hinges	Længde inkl. 2 kugleled Length incl. 2 ball sockets	Længde inkl. 2 gaffelstykker Length incl. 2 clevises	Styrke Nm Force Nm
19.605005	50	6	15	4/6	V0V0/122	D1D1/+32 mm	B3B3/+44 mm	E5E5/+40 mm	50
19.605010	50	6	15	4/6	V0V0/122	D1D1/+32 mm	B3B3/+44 mm	E5E5/+40 mm	100
19.605012	50	6	15	4/6	V0V0/122	D1D1/+32 mm	B3B3/+44 mm	E5E5/+40 mm	125
19.605020	50	6	15	4/6	V0V0/122	D1D1/+32 mm	B3B3/+44 mm	E5E5/+40 mm	200
19.605040	50	6	15	4/6	V0V0/122	D1D1/+32 mm	B3B3/+44 mm	E5E5/+40 mm	400
19.608005	80	6	15	4/6	V0V0/182	D1D1/+32 mm	B3B3/+44 mm	E5E5/+40 mm	50
19.608010	80	6	15	4/6	V0V0/182	D1D1/+32 mm	B3B3/+44 mm	E5E5/+40 mm	100
19.608020	80	6	15	4/6	V0V0/182	D1D1/+32 mm	B3B3/+44 mm	E5E5/+40 mm	200
19.608030	80	6	15	4/6	V0V0/182	D1D1/+32 mm	B3B3/+44 mm	E5E5/+40 mm	300
19.610005	100	6	15	4/6	V0V0/222	D1D1/+32 mm	B3B3/+44 mm	E5E5/+40 mm	50
19.610010	100	6	15	4/6	V0V0/222	D1D1/+32 mm	B3B3/+44 mm	E5E5/+40 mm	100
19.610015	100	6	15	4/6	V0V0/222	D1D1/+32 mm	B3B3/+44 mm	E5E5/+40 mm	150
19.610020	100	6	15	4/6	V0V0/222	D1D1/+32 mm	B3B3/+44 mm	E5E5/+40 mm	200
19.610030	100	6	15	4/6	V0V0/222	D1D1/+32 mm	B3B3/+44 mm	E5E5/+40 mm	300
19.612505	125	6	15	4/6	V0V0/272	D1D1/+32 mm	B3B3/+44 mm	E5E5/+40 mm	50
19.612510	125	6	15	4/6	V0V0/272	D1D1/+32 mm	B3B3/+44 mm	E5E5/+40 mm	100
19.612515	125	6	15	4/6	V0V0/272	D1D1/+32 mm	B3B3/+44 mm	E5E5/+40 mm	150
19.612520	125	6	15	4/6	V0V0/272	D1D1/+32 mm	B3B3/+44 mm	E5E5/+40 mm	200
19.612530	125	6	15	4/6	V0V0/272	D1D1/+32 mm	B3B3/+44 mm	E5E5/+40 mm	300
19.615010	150	6	15	4/6	V0V0/322	D1D1/+32 mm	B3B3/+44 mm	E5E5/+40 mm	100
19.615012	150	6	15	4/6	V0V0/322	D1D1/+32 mm	B3B3/+44 mm	E5E5/+40 mm	120
19.615015	150	6	15	4/6	V0V0/322	D1D1/+32 mm	B3B3/+44 mm	E5E5/+40 mm	150
19.615020	150	6	15	4/6	V0V0/322	D1D1/+32 mm	B3B3/+44 mm	E5E5/+40 mm	200
19.615030	150	6	15	4/6	V0V0/322	D1D1/+32 mm	B3B3/+44 mm	E5E5/+40 mm	300

nr. 00301-6-p201801