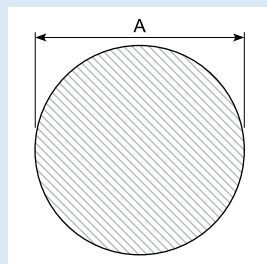


Svampegummi / Sponge rubber



Material: Black EPDM
Hardness: SH 16 - 20
density 0,45 - 0,6

Material: Dark grey CR
Hardness: SH 16 - 22
density 0,4 - 0,6

Material: Dark grey NR
Hardness: SH 16 - 22
density 0,4 - 0,55

Material: Dark grey EPDM
Hardness: SH 16 - 20
density 0,4 - 0,5

Art.	Ø (mm)
36.7003 *	3
36.7004	4
36.7005	5
36.7006 *	6
36.7008	8
36.7009	9
36.7010	10
36.7012	12
36.7015	15
36.7050 *	50

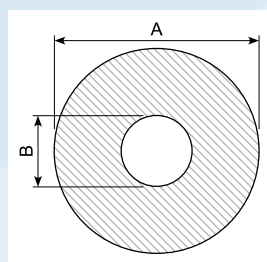
Art.	Ø (mm)
36.103CR	3
36.104CR	4
36.105CR	5
36.106CR	6
36.107CR	7
36.108CR *	8
36.110CR *	10
36.112CR *	12
36.115CR	15 (black)
36.118CR	18 (black)
36.119CR *	19
36.120CR *	20
36.122CR	22

Art.	Ø (mm)
36.102 *	2
36.102.5 *	2,5
36.103 *	3
36.104 *	4
36.106 *	6
36.108	8
36.110 *	10
36.112	12
36.115 *	15
36.120 *	20
36.125 *	25
36.130 *	30

Art.	Ø (mm)
36.102E	2
36.1025E *	2,5
36.103E	3
36.1035E	3,5
36.1045E *	4,5
36.105E *	5
36.106E	6
36.106EG * (Light grey)	6
36.106ESP	6
36.107E	7
36.108E *	8
36.108EG * (Light grey)	8
36.109E *	9
36.110E *	10
36.111E *	11
36.112E	12
36.112EG * (Light grey)	12
36.117E	17
36.120E	20
36.122E *	22
36.125E	25
36.130EX	30
36.135E	35

Material: Black EPDM
Hardness: SH 16 - 20
density 0,45 - 0,6

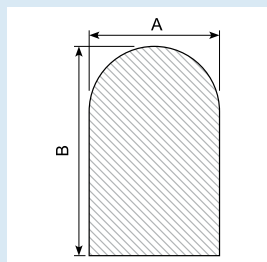
Art.	Ø (mm)	Min. order
36.7004.5X	4,5	3.000
36.7005X	5	3.000
36.7006X	6	3.000
36.7007X	7	3.000
36.7008X	8	3.000
36.7008.5X	8,5	3.000
36.7009X	9	3.000
36.7010X	10	3.000
36.7010.5X	10,5	3.000
36.7011X	11	3.000
36.7011.5X	11,5	3.000
36.7012X	12	3.000
36.7014X	14	3.000
36.7018X	18	
36.7028X	28	
36.7064X	64	



Material: Black EPDM

Art.	A x B (mm)	Min. length (m)
36.3416068 *	16 x 6,8	
36.34155105 *	15,5 x 10,5	
36.344511 *	45 x 11	
36.341840 *	40 x 18	200
36.342026 *	26 x 20	1.000
36.342030	30 x 20	Stock goods
36.342226 *	26 x 22	1.000
36.342232 *	32 x 22	500
36.342433 *	33 x 24	500
36.342529 *	29 x 25	1.000
36.342840 *	40 x 28	250

* Skaffevare / Special order item



Material: NR
Hardness: SH 16 - 20
density 0,45 - 0,6

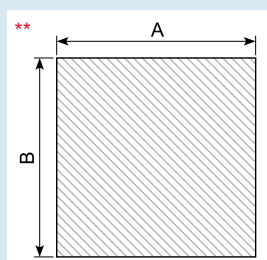
Art.	A x B (mm)	Color
36.197	4 x 6	Blue grey
36.198A *	6 x 8	Blue grey

Material: CR
Hardness: SH 16 - 20
density 0,4

Art.	A x B (mm)	Color
36.198CR *	6 x 8	Dark grey
36.200	8 x 8	Dark grey
36.202	10 x 12	Dark grey

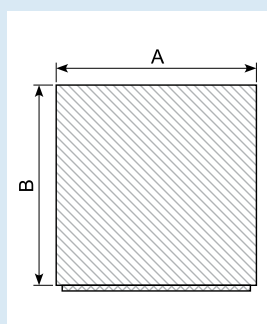
Material: EPDM

Art.	A x B (mm)	Color
36.198	6 x 8	Grey
36.198S	6 x 8	Black
36.199	6 x 10	Light grey
36.208	10 x 20	Light grey
36.3314	12 x 17	Dark grey



Material: Dark grey, EPDM
Hardness: SH 14 - 16
density 0,38 - 0,42

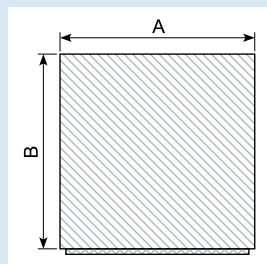
Art.	A x B (mm)	Varenr.	A x B (mm)	Art.	A x B (mm)	Art.	A x B (mm)
35.0806 *	8 x 6	35.1605	16 x 5	35.2515	25 x 15	35.4010	40 x 10
35.1003 *	10 x 3	35.1608 *	16 x 8	35.2520	25 x 20	35.4020	40 x 20
35.1004 *	10 x 4	35.18053	18 x 5,3	35.2525	25 x 25	35.4030 *	40 x 30
35.1005	10 x 5	35.2003	20 x 3	35.3005	30 x 5	35.4035 *	40 x 35
35.1007 *	10 x 7	35.2005	20 x 5	35.3007	30 x 7	35.4040	40 x 40
35.1008	10 x 8	35.20055 *	20 x 5,5	35.3010	30 x 10	35.4505 *	45 x 5
35.1010	10 x 10	35.2010	20 x 10	35.3012 *	30 x 12	35.5005 *	50 x 5
35.1203 *	12 x 3	35.2012 *	20 x 12	35.3015	30 x 15	35.5006 *	50 x 6
35.1209 *	12 x 9	35.2015	20 x 15	35.3020	30 x 20	35.5010 *	50 x 10
35.1212	12 x 12	35.2018 *	20 x 18	35.3025	30 x 25	35.5010E	50 x 10
35.1503 *	15 x 3	35.2020	20 x 20	35.3030	30 x 30	35.6010 *	60 x 10
35.1507	15 x 7	35.2502	25 x 2	35.3505	35 x 5	35.6040 *	60 x 40
35.1510	15 x 10	35.2505	25 x 5	35.3510 *	35 x 10		
35.1512 *	15 x 12	35.2506 *	25 x 6	35.3535	35 x 35		
35.1515	15 x 15	35.2510	25 x 10	35.4005	40 x 5		



Material: Dark grey, EPDM, with adhesive
Hardness: SH 14 - 16
density 0,38 - 0,42

Art.	A x B (mm)	Varenr.	A x B (mm)	Art.	A x B (mm)	Art.	A x B (mm)
35.0806K *	8 x 6	35.1507K *	15 x 7	35.2207K *	22 x 7	35.3505K *	35 x 5
35.0808K *	8 x 8	35.1510K	15 x 10	35.2505K	25 x 5	35.3510K *	35 x 10
35.1003K	10 x 3	35.1512K *	15 x 12	35.2506K *	25 x 6	35.3535K *	35 x 35
35.1004K *	10 x 4	35.1515K	15 x 15	35.2508K *	25 x 8	35.4003K	40 x 3
35.1005K	10 x 5	35.1605K *	16 x 5	35.2510K	25 x 10	35.4005K	40 x 5
35.1007K *	10 x 7	35.1608K *	16 x 8	35.2515K	25 x 15	35.4010K	40 x 10
35.1008K	10 x 8	35.1708K *	17 x 8	35.2520K	25 x 20	35.4012K *	40 x 12
35.1010K	10 x 10	35.1803K *	18 x 3	35.2525K	25 x 25	35.4020K *	40 x 20
35.1203K *	12 x 3	35.18053K *	18 x 5,3	35.2806K	28 x 6	35.4030K	40 x 30
35.1204K *	12 x 4	35.1809K *	18 x 9	35.3003K	30 x 3	35.4035K	40 x 35
35.1204KL	12 x 4	35.1904K *	19 x 4	35.3005K	30 x 5	35.4040K	40 x 40
35.1206K *	12 x 6	35.2003K	20 x 3	35.3006K	30 x 6	35.4505K *	45 x 5
35.1208K *	12 x 8	35.2005K	20 x 5	35.3007K *	30 x 7	35.5006K	50 x 6
35.1209K *	12 x 9	35.20055K *	20 x 5,5	35.3010K	30 x 10	35.5010K	50 x 10
35.1212K	12 x 12	35.2010K *	20 x 10	35.3012K	30 x 12	35.5020K *	50 x 20
35.1503K *	15 x 3	35.2010KL	20 x 10	35.3015K	30 x 15	35.6002K	60 x 2
35.1504K	15 x 4	35.2012K	20 x 12	35.3020K	30 x 20	35.8020K *	80 x 20
35.1505K	15 x 5	35.2015K	20 x 15	35.3025K *	30 x 25	35.10020K *	100 x 20
35.1506K	15 x 6	35.2020K	20 x 20	35.3030K	30 x 30		

Svampegummi / Sponge rubber

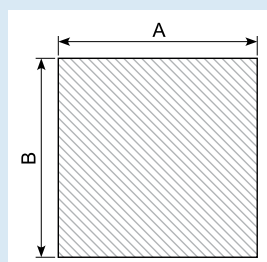


Material: White silicone
Hardness: SH 16 - 20
density 0,4 - 0,5

Material: Black silicone
Hardness: SH 16 - 20
density 0,4 - 0,5

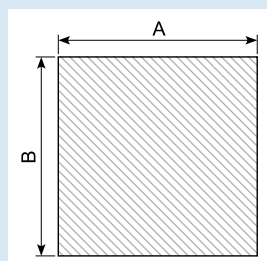
Art.	A x B (mm)	Art.	A x B (mm)	Art.	A x B (mm)
36.1003SIH*	10 x 3	36.1812SIH*	18 x 12	36.2515SIH*	25 x 15
36.1006SIH*	10 x 6	36.2003SIH*	20 x 3	36.2520SIH	25 x 20
36.1010SIH*	10 x 10	36.2005SIH	20 x 5	36.2525SIH	25 x 25
36.1212SIH	12 x 12	36.2010SIH*	20 x 10	36.3010SIH*	30 x 10
36.1505SIH	15 x 5	36.2010SIHK* (with adhesive)	20 x 10	36.3020SIH*	30 x 20
36.1512SIH	15 x 12	36.2015SIH	20 x 15	36.4012SIH*	40 x 12
36.1610SIH*	16 x 10	36.2020SIH*	20 x 20	36.5005SIH*	50 x 5
36.1616SIH	16 x 16	36.2510SIH	25 x 10		

Art.	A x B (mm)
36.2010SIS*	20 x 10
36.2520SIS*	25 x 20



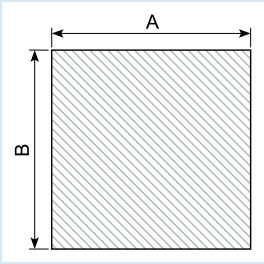
Material: Dark grey, EPDM
Hardness: SH 16 - 20
density 0,4 - 0,5

Art.	A x B (mm)	Art.	A x B (mm)	Art.	A x B (mm)
36.1010E (black)	10 x 10	36.2010E	20 x 10	36.4015E	40 x 15
36.1210E*	12 x 10	36.2510E	25 x 10	36.4020E	40 x 20
36.1503E*	15 x 3	36.2520E*	25 x 20	36.4025E*	40 x 25
36.1505E	15 x 5	36.2525E*	25 x 25	36.4030E	40 x 30
36.1510E	15 x 10	36.3010E	30 x 10	36.5020E*	50 x 20
36.1512E	15 x 12	36.3025E	30 x 25	36.6030E*	60 x 30
36.1612E*	16 x 12	36.3520E	35 x 20		
36.1815EG (light grey)	18 x 15	36.4010E	40 x 10		

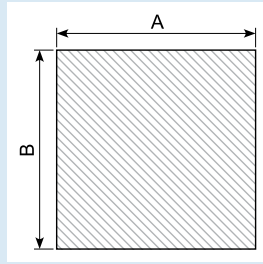


Material: Dark grey, NR
Hardness: SH 16 - 20
density 0,4 - 0,5

Art.	A x B (mm)	Art.	A x B (mm)	Art.	A x B (mm)
36.0505*	5 x 5	36.1605*	16 x 5	36.3005	30 x 5
36.0806*	8 x 6	36.1808G	18 x 8	36.3010	30 x 10
36.1003	10 x 3	36.1816*	18 x 16	36.3015	30 x 15
36.1005	10 x 5	36.2002*	20 x 2	36.3020	30 x 20
36.1005G (light grey)*	10 x 5	36.2003*	20 x 3	36.3030	30 x 30
36.1007*	10 x 7	36.2005	20 x 5	36.3516*	35 x 16
36.1008*	10 x 8	36.2010	20 x 10	36.4010	40 x 10
36.1010 (black)	10 x 10	36.2015	20 x 15	36.4012*	40 x 12
36.1205*	12 x 5	36.2020	20 x 20	36.4015*	40 x 15
36.1206	12 x 6	36.2503*	25 x 3	36.4025	40 x 25
36.1210	12 x 10	36.2505	25 x 5	36.5010*	50 x 10
36.1503	15 x 3	36.2510	25 x 10	36.5020	50 x 20
36.1510	15 x 10	36.2515	25 x 15	36.5025*	50 x 25
36.1512*	15 x 12	36.2520*	25 x 20	36.5030	50 x 30
36.1515	15 x 15	36.2525	25 x 25	36.6030*	60 x 30
36.1604*	16 x 4	36.3003*	30 x 3		

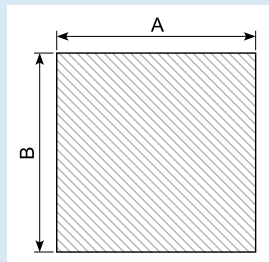


Material: Black, CR
 Hardness: SH 18 - 25
 density 0,5 - 0,75



Economy
 Material: Black
 Hardness: Density 0,45

Art.	A x B (mm)
36.1010CR *	10 x 10
36.2010CR *	20 x 10
36.2020CR *	20 x 20
36.3015CR	30 x 15
36.4020CR *	40 x 20
36.5005CR *	50 x 5



Material: NBR

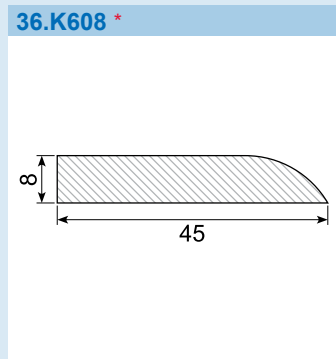
Art.	A x B (mm)
36.6020NBR	60 x 20



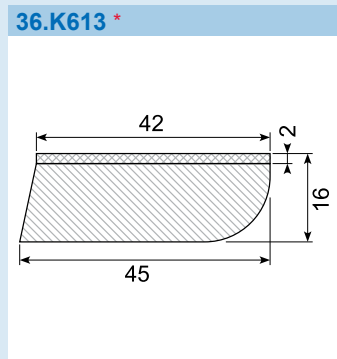
Sponge rubber plates
 Material: EPDM / NR
 Color: Dark grey

Art.	Length (mm)	Thickness (mm)	Width (mm)	Quality
38.152EPDM	1.000	2	1.000	EPDM
38.153EPDM	1.000	3	1.000	EPDM
38.154EPDM	1.000	4	1.000	EPDM
38.155EPDM	1.000	5	1.000	EPDM
38.156EPDM	1.000	6	1.000	EPDM
38.158EPDM	1.000	8	1.000	EPDM
38.160EPDM	1.000	10	1.000	EPDM
38.162EPDM	1.000	12	1.000	EPDM
38.165EPDM	1.000	15	1.000	EPDM
38.170EPDM	1.000	20	1.000	EPDM
38.175EPDM	1.000	25	1.000	EPDM
38.180NR	1.000	30	1.000	NR

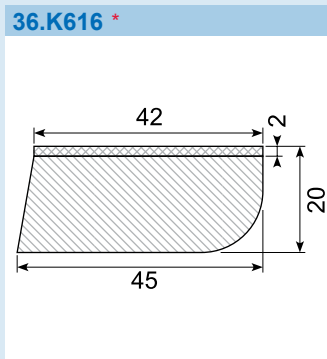
Art.	A x B (mm)	Min. order (m)	
36.1005X	10 x 5		
36.1505X	15 x 5		
36.2005X	20 x 5		
36.2505X	25 x 5		
36.3005X	30 x 5		
36.1406X	14 x 6		
36.1007X	10 x 7		
36.1507X	15 x 7		
36.2507X	25 x 7		
36.2008X *	20 x 8	3.000	
36.2508X *	25 x 8	3.000	
36.1010X	10 x 10		
36.1210X	12 x 10		
36.2010X *	20 x 10	3.000	
36.4010X	40 x 10		
36.5010X	50 x 10		
36.12511X	12,5 x 11		
36.1212X	12 x 12		
36.1612X	16 x 12		
36.2318X	23 x 18		
36.3015X	30 x 15		
36.3515X	35 x 15		
36.4020X *	40 x 20	3.000	
36.3020X	30 x 20		Soft corners
36.3520X	35 x 20		Soft corners
36.7013X	70 x 13		Soft corners
36.2512X	25 x 12		Soft corners



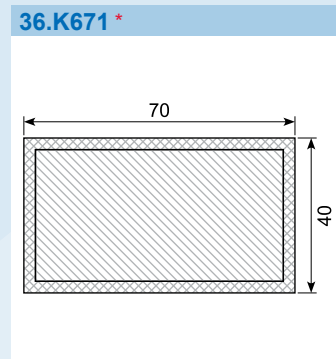
Color: Black



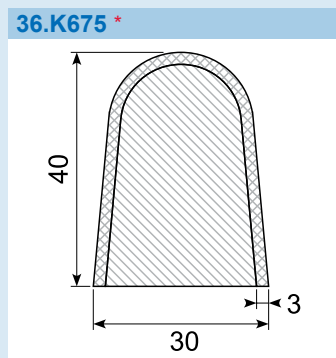
Color: Black



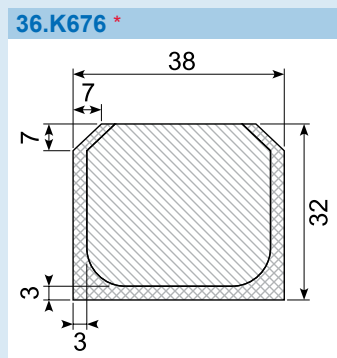
Color: Black



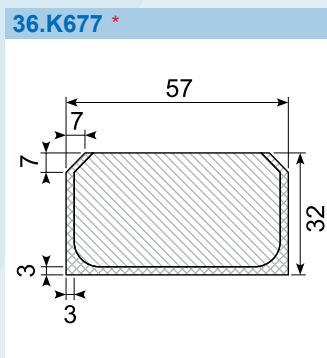
Color: Black



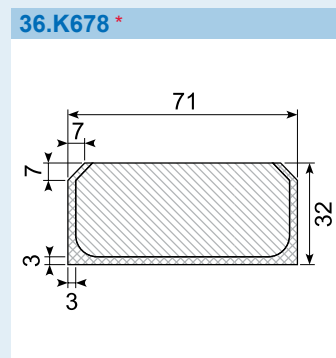
Color: Black



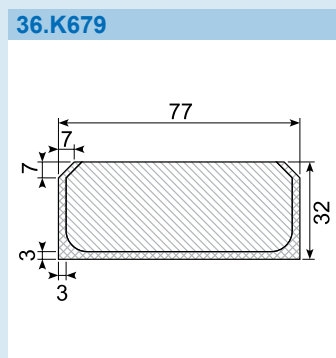
Color: Black



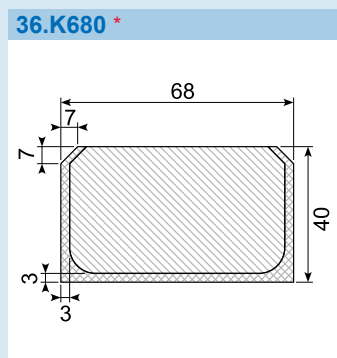
Color: Black



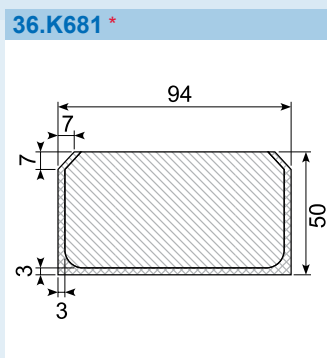
Color: Black



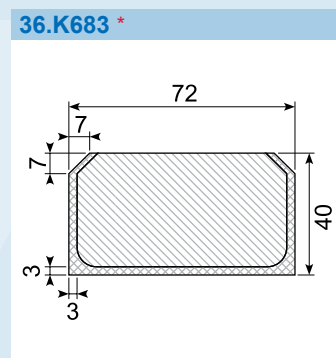
Color: Black



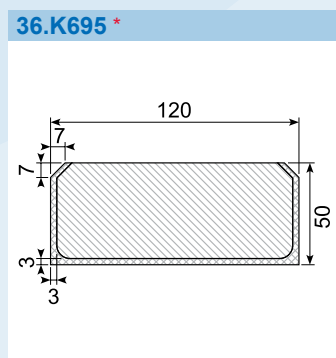
Color: Black



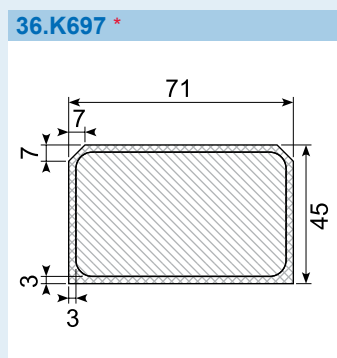
Color: Black



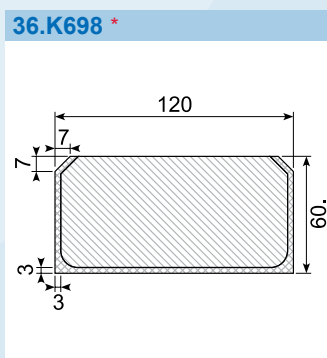
Color: Black



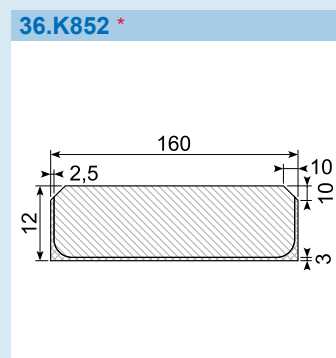
Color: Black



Color: Black

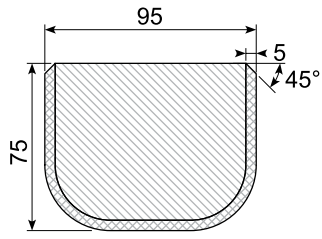


Color: Black



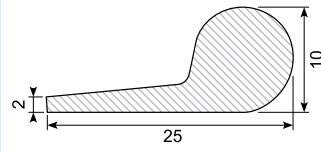
Color: Black

36.K853 *



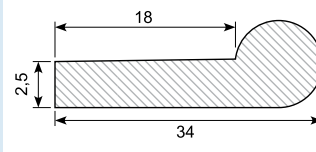
Color: Black

36.3351 *



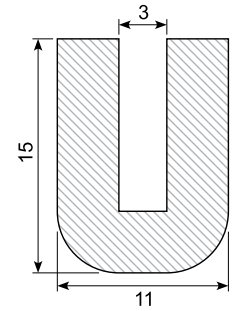
Material: EPDM black
Hardness: SH 14 - 16
density 0,38 - 0,4
Min. order: 500 m

36.3354 *



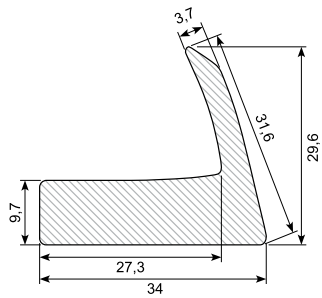
Material: NR dark grey
Hardness: SH 16 - 20
density 0,4
Min. order: 500 m

36.3813



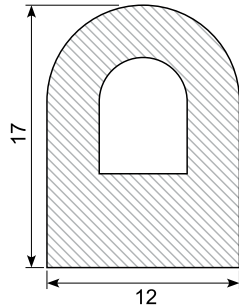
Material: EPDM dark grey
Hardness: SH 16 - 20
density 0,4 - 0,45

36.B380



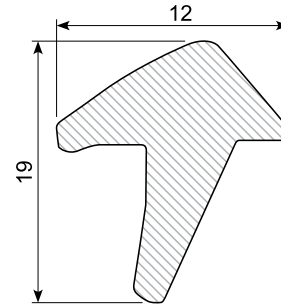
Material: EPDM
Length: 3 m

36.3315



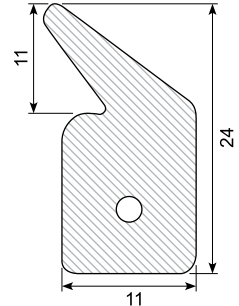
Material: EPDM black
Hardness: SH 18 - 20
density 0,45 - 0,55

36.3504



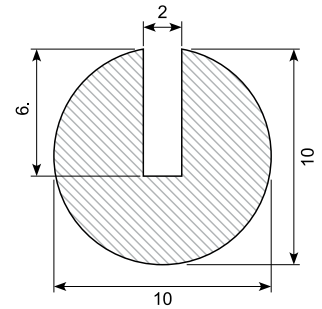
Material: EPDM dark grey
Hardness: SH 14 - 16
density 0,38 - 0,42

36.3881



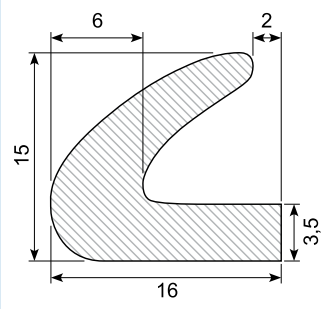
Material: EPDM grey
Hardness: SH 16 - 20
density 0,4 - 0,5

36.14044 *



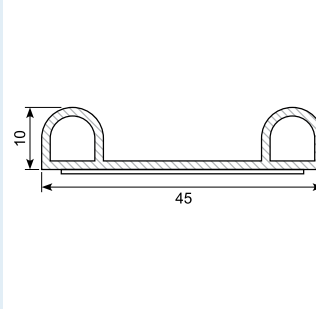
Material: EPDM
Min. order: 500 m

36.3704



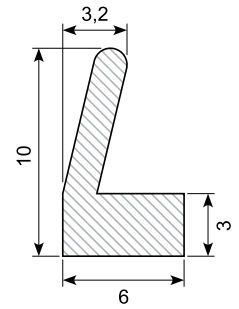
Material: NR dark grey
Hardness: SH 20 - 25
density 0,55 - 0,65

30.13144



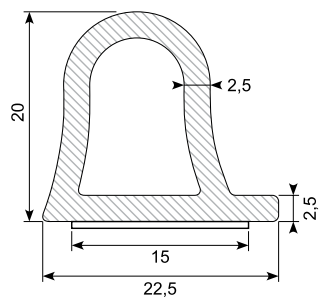
Material: EPDM
with adhesive

36.3897



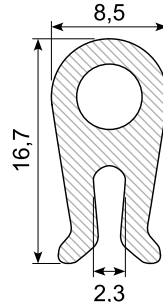
Material: Light grey EPDM

30.13315 *



Hardness: Density 0,7
Min. order: 1.000 m
With adhesive

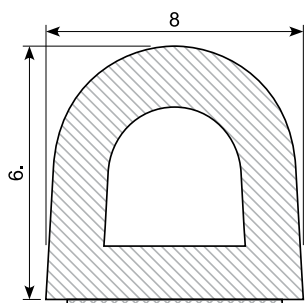
30.9884S *



Material: EPDM
Min. order: 3.000 m

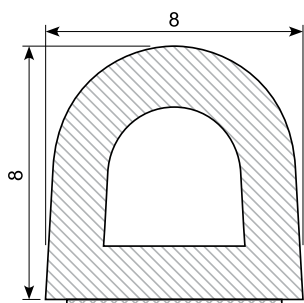
Svampegummi / Sponge rubber

36.9086S



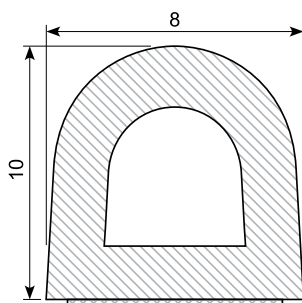
Material: Black EPDM with adhesive

36.9088S



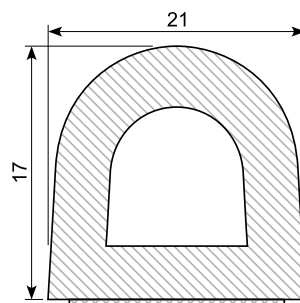
Material: Black EPDM with adhesive

36.90810



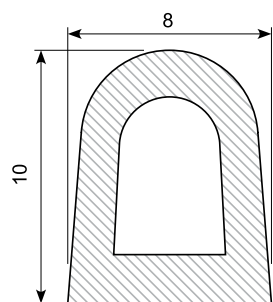
Material: Black EPDM with adhesive

36.92117



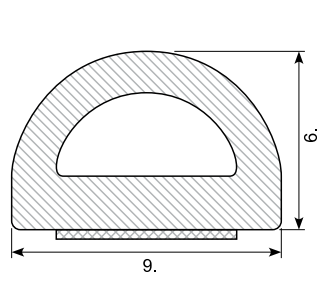
Material: Black EPDM with adhesive

36.730810



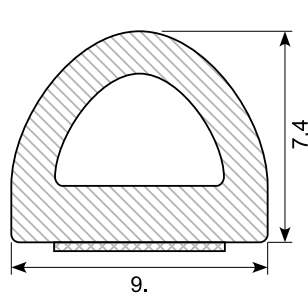
Material: EPDM
Density: 0,35 - 0,45
With adhesive

36.730906 - 36.730906H *



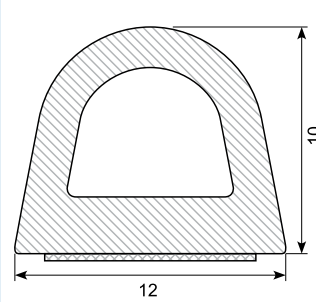
Material: White EPDM with adhesive
Density: 0,25 - 0,35

36.730907 - 36.730907G



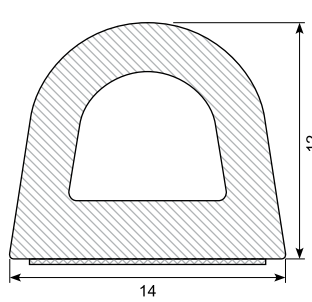
Material: Black/grey EPDM with adhesive
Density: 0,25 - 0,35

36.731210 - 36.731210H



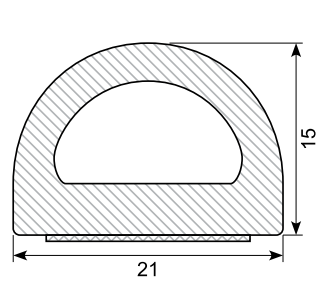
Material: EPDM with adhesive
Density: 0,25 - 0,35

36.731412D



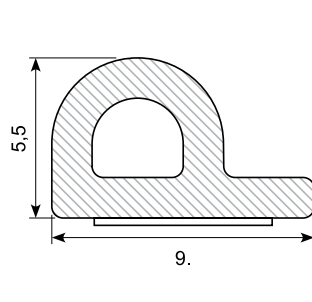
Material: EPDM with adhesive
Density: 0,25 - 0,35

36.732115



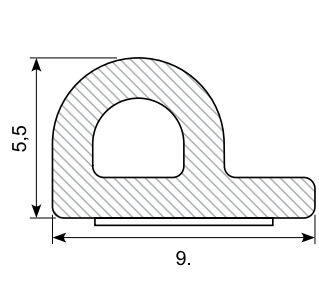
Material: EPDM with adhesive
Density: 0,45 - 0,55

36.80955S



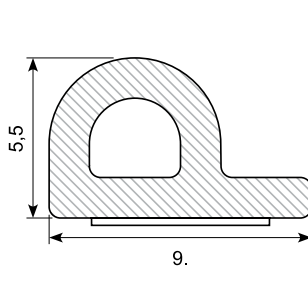
Material: Black EPDM with adhesive

36.730955



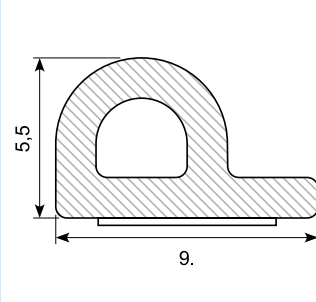
Material: Black EPDM with adhesive
Density: 0,25 - 0,35

36.730955G



Material: Light grey with adhesive
Density: 0,25 - 0,35

36.730955H



Material: White with adhesive
Density: 0,25 - 0,35